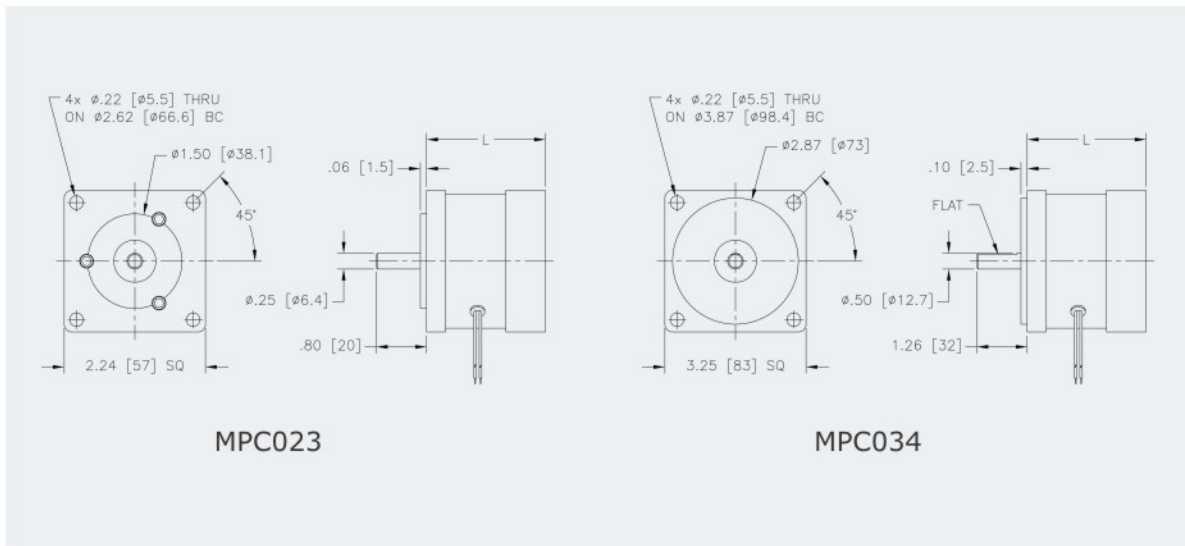


MPC023/034 Brake

General information

- Insulation Class B
- Electrophoresis Plating Treatment
- NEMA 23/24 Mounting Configuration
- Special application on request

Encoder Connections



Encoder Connections

Model	Voltage (VDC)	Resistance (Ohms)	Current (A)	Static Torque (Nm)	Power (W)	Start Voltage (VDC)	Weight (g)	Length (mm)
MPC023-	24	92	0.26	0.5	6.2	15	400	48
MPC034-	24	58	0.41	1.68	9.8	15	500	63

Implication For Name

