

# Q/V Optical Encoder

## General information

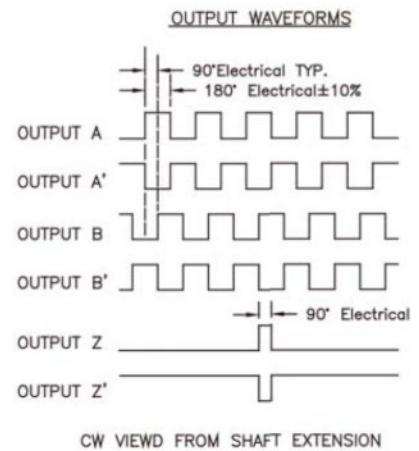
- General information
- Output Channels - A,B,Z
- Differential Line Drivers
- IP 40 Rated
- Power Requirement - 125Ma@5VDC
- 500kHz Maximum Operating Frequency
- Inertia - 0.0015 oz-in-sec<sup>2</sup>(0.01592Kg-cm<sup>2</sup>)
- Factory or user mountable



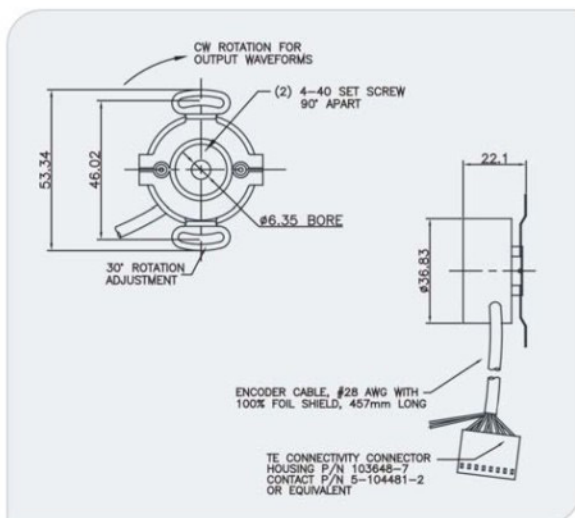
## Encoder Connections

PIN	COLOR	FUNCTION
1	Red	VDC(+5V)
2	Black	Common
3	Brown	Output A
4	White	Output A'
5	Blue	Output B
6	Green	Output B'
7	Orange	Output Z
8	Yellow	Output Z'
N/C	BLK/WHT	Case Ground
N/C	Drain Wire	Cable Shield

CATALOG NUMBER	STYLE	RESOLUTION
Q1	Standard	1000
V1	Small Dia.	1000
Q3	Standard	2000
V3	Small Dia.	2000
Q5	Standard	2500
V5	Small Dia.	2500
Q8	Standard	5000
V8	Small Dia.	5000



## Mechanical outline - Q series



## Mechanical outline - V series

