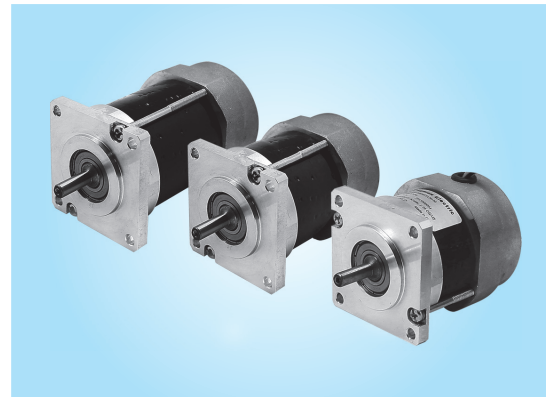


DC057AH

DC Brushless Motor



● General information

- ▶ Shielded Ball Bearings
- ▶ NEMA 23 Flange Mounting
- ▶ Aluminum End Caps
- ▶ 8-Pole Rotor
- ▶ Hall Effect Feedback(120°elec)
- ▶ IP42 rated
- ▶ Low Cogging
- ▶ Encoder available

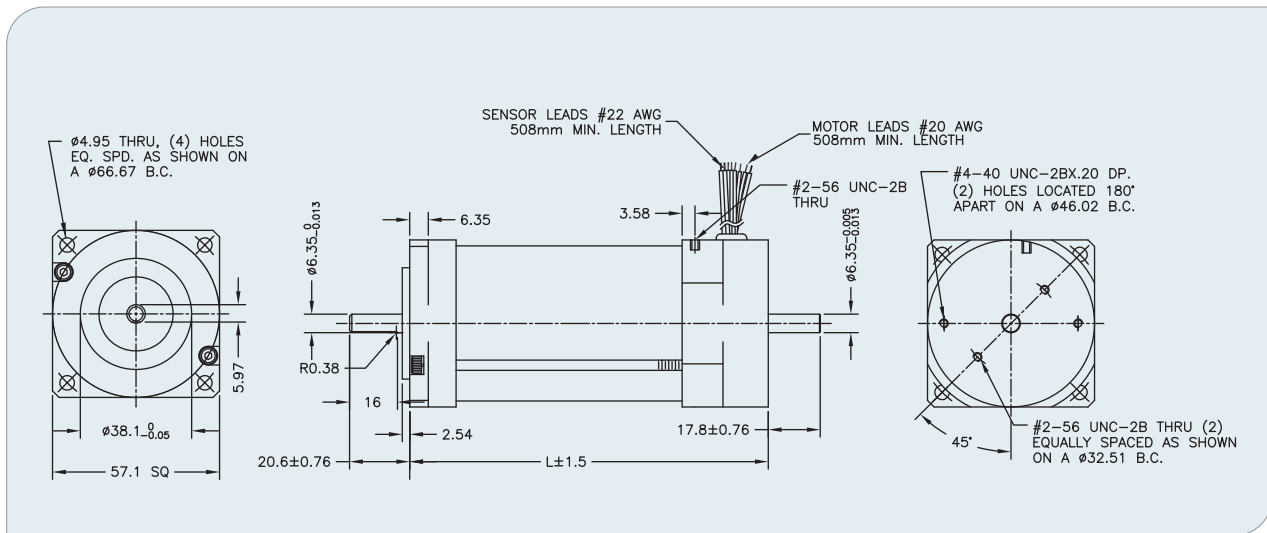
● Specifications

SPECIFICATION	Unit	DC057AH100	DC057AH200	DC057AH300
Supply Voltage (reference)	(Vs) Vdc	170	170	170
Rated Continuous Torque	(Tcr) Nm	0.31	0.57	0.70
Rated Speed at Cont. Torque	(Scr) rpm	6000	6000	6000
Rated Continuous Stall Current	(Ics) A	3.73	5.49	7.43
Rated Continuous Output Power	(Po,c) W	196	361	440
Rated Peak Torque	(Tpr) Nm	1.20	2.20	2.68
Rated Peak Current	(Ipr) A	11.92	17.53	23.74
Torque Constant	(KT) Nm/A	0.1070	0.1338	0.1204
Ke(Voltage constant)	V/krpm	11.20	14.00	12.6
Terminal Resistance	(Rmt) Ω	2.09	1.16	0.59
Inductance	(L) mH	1.60	1.07	0.54
Insulation Class		F	F	F
Rotor Inertia	(Jr) Kg.m ²	1.34E-05	2.60E-05	3.95E-05
Motor Weight	(Wm) Kg	0.91	1.32	1.72
Motor Length	(Lm) mm	71.1	96.5	127.9

DC057AH

DC Brushless Motor

● *Mechanical*



● *Characteristic diagram*

